



BLUOCEAN
TECHNICAL SERVICES CO.



DUBAI UNITED ARAB EMIRATES
Phone : +971 58 526 6802
info@bluoceanuae.com

www.bluoceanuae.com

Table of Content



- ✦ About Us
- ✦ Health & Safety
- ✦ Quality Assurance
- ✦ Sustainable Solutions

Our Services

- ✦ MEP Contracting
- ✦ Plumbing Services
- ✦ Drainage, Water Distribution
- ✦ & Waste Water Management Services
- ✦ Fire Fighting & Fire Alarm Services
- ✦ Heating Ventilation & Air Conditioning Services

Electrical Services

- ✦ ELV Works
- ✦ Home Automation
- ✦ Solar Energy System
- ✦ Building Management System

General Services

- ✦ Painting Works
- ✦ Masonry Services
- ✦ Tile Fixing Services
- ✦ Carpentry & Joinery Services

Project References

- ✦ Vision & Mission
- ✦ Core Values
- ✦ Why This Company....?



ABOUT US

WHO WE ARE

we undertake this opportunity to introduce ourselves BLUOCEAN TECHNICAL SERVICES CO. registered & licensed under the Economic Department of Dubai. BLUOCEAN TECHNICAL SERVICES CO. is one of the most trusted and reliable MEP contracting company in the UAE today, with multiple projects across different sectors and scale. We undertake and implement turnkey contracts encompassing design, engineering, supply, installation, testing and commissioning. With the team of strong skilled labor force, qualified engineers, technicians, draftsman and experienced project managers, we are committed to delivering quality work. We are fully equipped to meet the most rigid specifications and execute work in the most challenging conditions. We also have in place a strong Health, Safety & Environment (HSE) policy. The result is an untainted track record of delivering projects on time and to set expectations, making us one of the most preferred MEP partners for clients, contractors and consultants alike. We pride ourselves in being a non stop shop for all your Plumbing, HVAC, Electrical & renewable energy needs, empowered by a team of highly talented, well qualified & experienced specialist force under the perfect control of highly competent managers,

BLUOCEAN TECHNICAL SERVICES CO. undertakes Construction & Maintenance contract of MEP services specially Plumbing, Set up of Waste water Treatment plants, HVAC, Fire Fighting /Fire Alarm System, Electrical & Home Automation etc.

We are fully sophisticated, it's a electromechanical company which designs, procures, Installs & commissions systems with a team of dedicated engineers, supervisors & highly skilled technicians engaged in electromechanical works and proven a track record of excellent services to the construction company.



HEALTH & SAFETY



The Importance Of Hse Is Recognised In Our Plan And The Organisation Continually Identifies, Assesses, Evaluates And Controls Health & Safety Risks In The Workplace Be It Our Offices Or Project Site. Some Key Aspects Of Our Hse Policy Are:

- ✦ We aim for zero accidents on all our project sites.
- ✦ Hazards avoided with constant monitoring of risks.
- ✦ All critical activities are carried out on the issue of work permits and controlled for safety.
- ✦ Continuous assessment and monitoring of subcontractors including legal documentation, method statements and physical inspections.
- ✦ Regular training for all workers and staff including induction programs, toolbox talk and Health & Safety norms
- ✦ Constant liaison with authorities to stay abreast of latest advancements in HSE
- ✦ 100% compliance with the authorities mandates for essential safety and personal protective equipment.



QUALITY ASSURANCE



The company has a team of dedicated and qualified professionals to monitor, measure and continually improve each element of the organization's service functions through rigorous audit process verification and validation checks. A comprehensive quality plan is prepared for every project as per the project's inspection and test plan that is regularly vouched for compliance, with the support of well-established management systems.

- ✦ Our in-house quality assurance team ensures that the planning and execution of work are done to meet the Project specifications, achieve customer satisfaction and sustainable growth.
- ✦ Our commitment to quality is further reinforced through our participation in the Dubai Quality Group | Continual Improvement Group



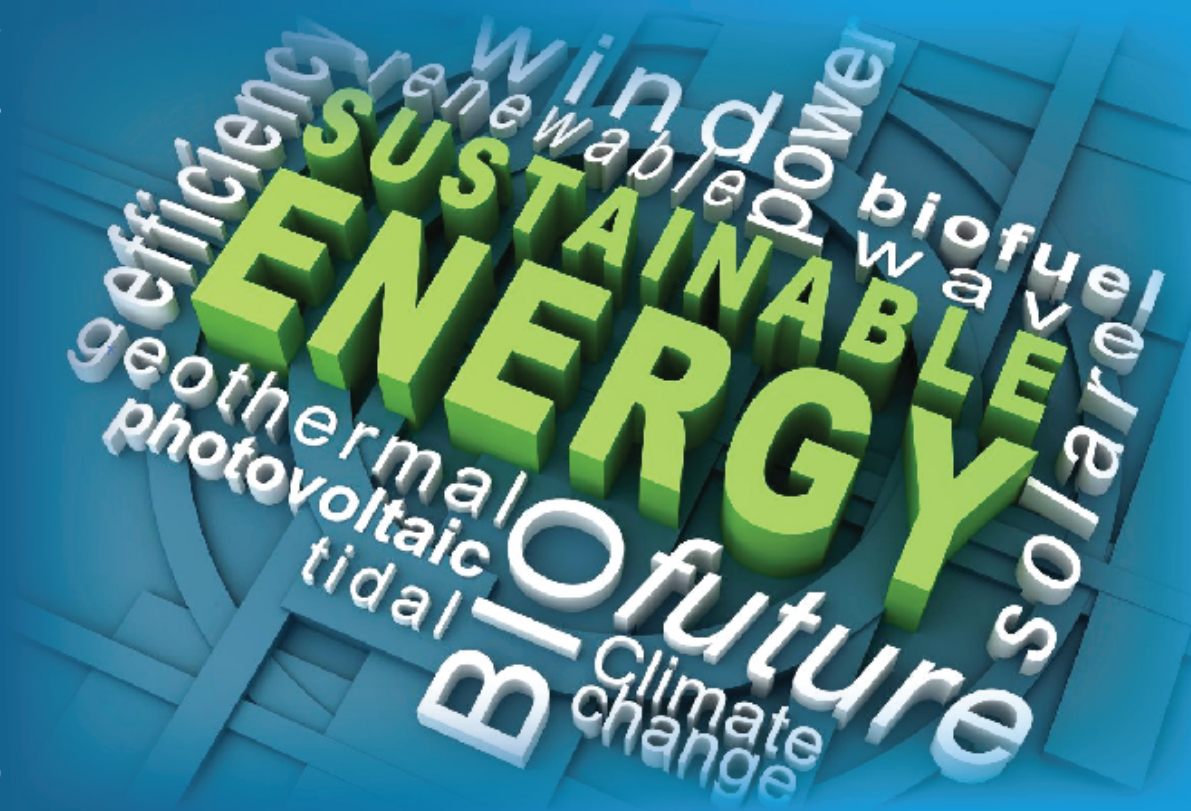
SUSTAINABLE SOLUTIONS



We believe it is our duty to our customers, investors and employees to foster an ethical, socially responsible and sustainable corporate philosophy. Sustainability is a key component of our strategy and our approach covers four areas:

- CONTROLLED CARBON EMISSION
- INTELLIGENT INFRASTRUCTURE MANAGEMENT SOLUTIONS
- WATER MANAGEMENT TECHNIQUES
- ENERGY SAVINGS

In all of our projects, we recommend sustainable products and solutions be incorporated into the MEP fabric. Through stringent procurement measures, we support the consultants and contractors in meeting their sustainability and LEED objectives for a project.



OUR SERVICES



BluOcean Technical Services Co's strong combination of pre-construction and building expertise has enabled the company to successfully meet varying demands from both, the public and private sectors.

- ✦ Our specialized markets include the Electro Mechanical Works for the **Our Services**
- ✦ Commercial building & warehouses
- ✦ Manufacturing plant expansion
- ✦ Water treatment facilities
- ✦ Residential Facilities
- ✦ Government Projects
- ✦ Industrial Establishments

Our strength lies in our strict adherence to design and installation practices, quality material, fail-safe equipment and in-depth expertise in the work we execute. We strictly follow guidelines to meet Leadership in Energy and Environment Design (LEED) criteria and Green Building Regulations.



MEP CONTRACTING



BluOcean Technical Services Co has built a solid reputation of successfully delivering MEP solutions for Residential, Comercial & Industrial Businesses.



BluOcean is pioneer in doing multi discipline activities and providing Comprehensive maintenance ,Operation and execution of projects related to different industries.



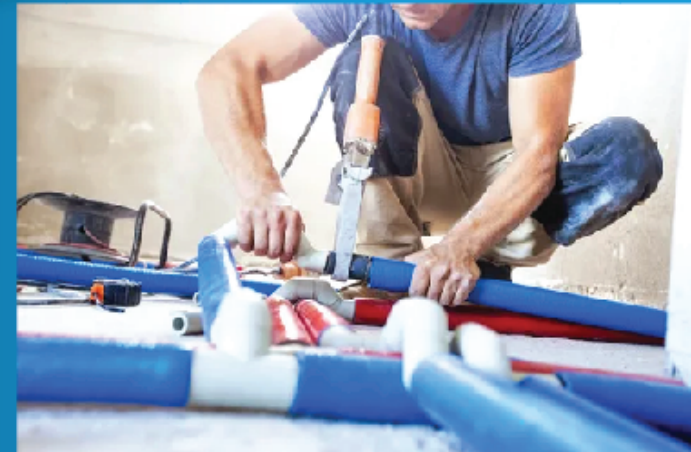
Our team of qualified proffessionals ensure that every job is carried out in a safe and professional manners. Our traiane dtechnicians are capable of resolving the most complex of technical issues.They had involved to built a solid reputation within the residential commercial and industrial market,With client satisfaction,guaranteed.



PLUMBING SERVICES



- ✦ Plumbing issues are a regular headache in almost all the offices ,homes etc.. poor plumbing methods are the maoin cause for this this.Life could be tough if the plumbing breakdowns are unattended . Even the minor leakage can be very expensive and lead to potential long term damage.
- ✦ We ensure that ypour plumbing sytem are in safe hands and all the problems will be fixed in a timely and effeicient manner & to avoide the repetitions
- ✦ We are also in specilized in installtions of any kind of pumps water purifier equipments,swimming pools setup,heating and cooling equipments etc..
- ✦ Design ,Install & Maintain Commercial Plumbing Systems.
- ✦ Hot & Cold Water Distribution
- ✦ Fresh Water Treatment (media filtration, Softeners or UV, chlorine dosing systems etc..)
- ✦ Irrigation network
- ✦ Swimming Pool Set up

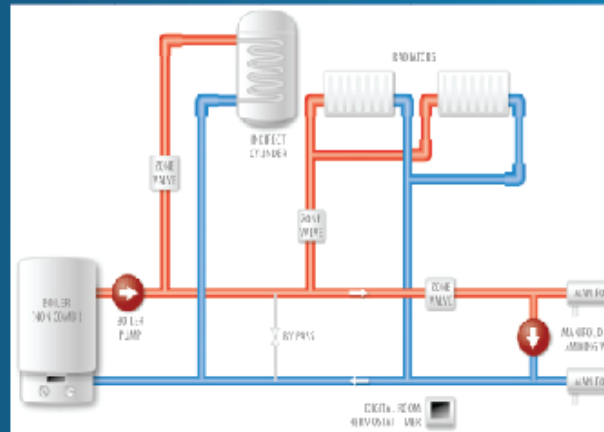


DRAINAGE & WATER DISTRIBUTION

WASTE WATER MANAGEMENT



- ✦ Drainage Network
- ✦ Water Supply Distribution
- ✦ Central Heated Water Distribution
- ✦ Cooled Water Distribution
- ✦ Sewage Treatment Plant



- ✦ Grey Water Recycling System
- ✦ Installation Of Lifting Stations
- ✦ Waste Management
- ✦ Sanitary Installation
- ✦ Storm Water Recycle
- ✦ Rain Water Harvesting

Fire Fighting & Fire Alarm System



- ✦ Sprinkler System Installation
- ✦ Fire Hose Reels and Landing Valves Installation
- ✦ Fire Pumps installation
- ✦ Fire Alarm System
- ✦ FACP Programming, testing & Commissioning
- ✦ FM 200 ,Deluge Foam or Fire suppression System
- ✦ Emergency Lightning or Central battery system.
- ✦ Fire Hydrant above or Under ground Networks



Heating Ventilation & Air Conditioning System (HVAC)



Selection of HVAC system and document constraints dictated by performance, capacity, available space, budgets and any other factors important to the project. We usually starts with a formal meeting with an architect/owner and understanding his or her requirements

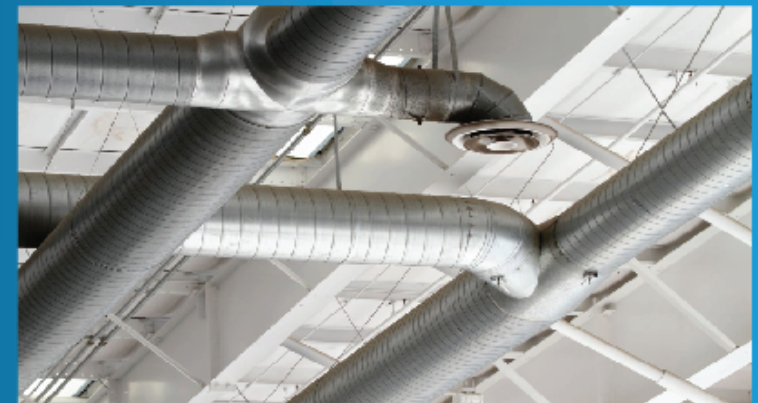
supply & installation of Chillers,FAHU,AHU,FCU etc.
Supply and installation of Chilled Water Pumps & Piping Work
Supply, installtion,testing & commissioning of packaged ,split,ducted split & VRF system.

Supply, installtion,testing & commissioning of Extract Fans,Ventilation Fan,Smoke Extract Fans,garbage exasut fans etc..

Supply,Installation ,testing & commissioning of al kind of duct work.
Chemical Treatment / Flushing of chilled water system. Air and Water balancing
All kind of installation with supply of Equipments,Ducting with Successfully hand over after T & C.

Routine inspection of Air conditioning System,Repair,maintenance and fixing is extremely important to ensure units effency for all type of air conditiong or ventilation system .

Our team is spelized to do the services,intallation and repair all kind of systems.

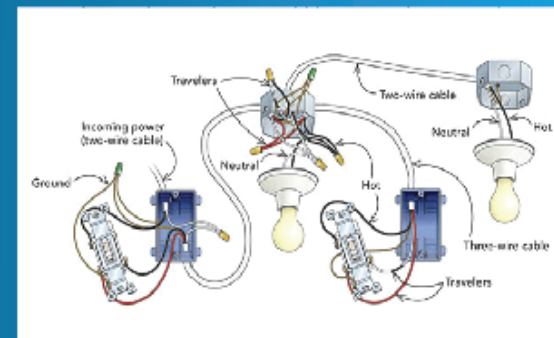
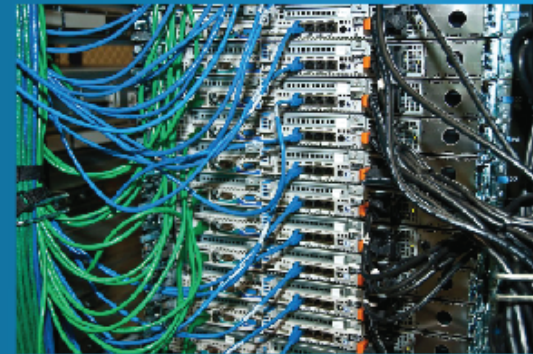


ELECTRICAL SERVICES



We have specialised team to design and build the below activities for electrical system.

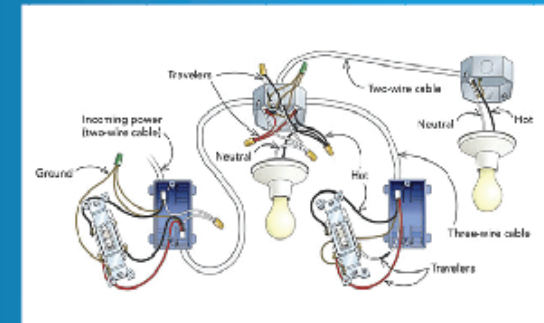
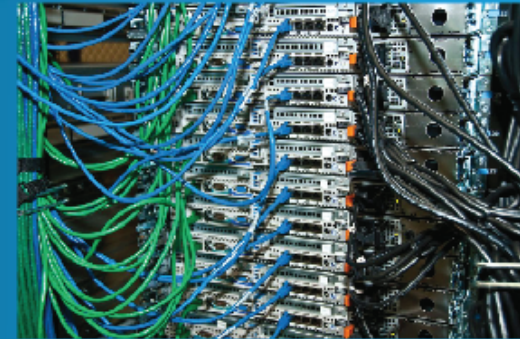
- ✦ LV PANELS FORM
- ✦ BUSBAR WITH TAP OFF UNITS
- ✦ LV CONTROL GEARS
- ✦ LV CABLING
- ✦ MAIN DISTRIBUTION BOARDS
- ✦ SUB MAIN DISTRIBUTION BOARDS
- ✦ FINAL DISTRIBUTION BOARDS
- ✦ DG SET WITH ATS PANEL
- ✦ LIGHT WIRING
- ✦ POWER WIRING
- ✦ WIRING ACCESSORIES
- ✦ CABLE CONTAINMENT
- ✦ EARTHING
- ✦ LIGHTNING PROTECTION
- ✦ STREET LIGHT WITH POLES



ELV WORKS



- ✦ TELEPHONE & DATA
- ✦ STRUCTURED CABLING
- ✦ CCTV
- ✦ INTERCOM
- ✦ BMS
- ✦ SECURITY SYSTEM
- ✦ ACCESS CONTROL
- ✦ MASTER CLOCK SYSTEM
- ✦ BACKGROUND MUSIC SYSTEM
- ✦ CENTRAL BELL SYSTEM



HOME AUTOMATION



- ✦ CLIMATE CONTROL
- ✦ SECURITY
- ✦ LEAKAGE CONTROL
- ✦ SMART DOOR LOCKS
- ✦ LIGHTING CONTROL
- ✦ CURTAIN & BLINDS
- ✦ MULTI ROOM AUDIO VISUAL
- ✦ INDOOR/ OUTDOOR WIRELESS SOLUTION



SOLAR ENERGY SYSTEM



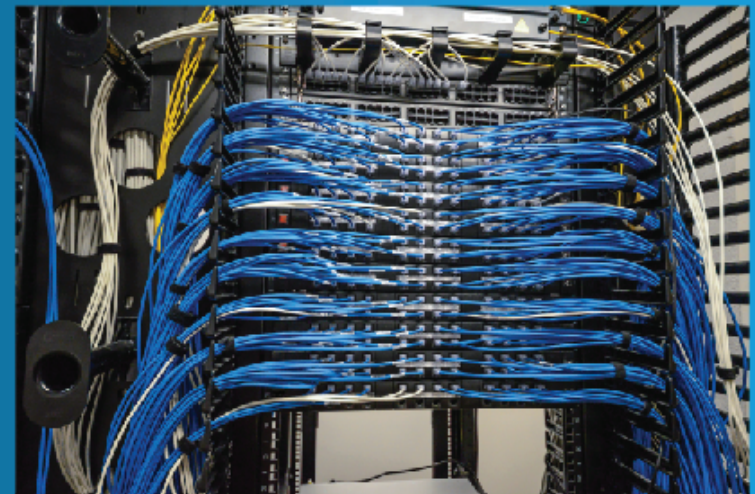
- ✦ FORCED CIRCULATION SOLAR WATER HEATERS
- ✦ THERMO SYPHONE SOLAR WATER HEATERS
- ✦ SOLAR AIR CONDITIONING UNITS
- ✦ SOLAR LIGHTS
- ✦ SOLAR POWER HYBRID AND GRID SYSTEM
- ✦ SOLAR PUMPS



BUILDING MANAGEMENT SYSTEM



- ✦ DDC PANEL INSTALLATION AND TERMINATION
- ✦ FCU CONTROL PANEL INSTALLATION AND TERMINATION
- ✦ GATEWAY PANEL INSTALLATION AND TERMINATION
- ✦ INTEGRATION PANEL INSTALLATION AND TERMINATION
- ✦ CABLE PULLING FOR DDC PANEL
- ✦ FIELD SIDE CABLE TERMINATION
- ✦ SHIELDED ,UNSHILED & INTERCOMMUNICATION CABLE
- ✦ COMMUNICATION CABLES PULLING FOR FCU CONTROLLERS
- ✦ BTU METER INSTALLATION
- ✦ SMART PIBCV'S INSTALLATION



GENERAL SERVICES

PAINTING SERVICES



BluOcean Technical Services Co in Dubai the best ever opportunity to decorate and renovate your house/Villas or offices, If you are planning for a painting services in Dubai don't worry our professional painting services in Dubai will resolve all your problems, In this modern era, the trend of building houses, are vary with each individual, if your houses looks old look in new constructed houses, give a chance us, to renew your house, we are the best painting service provider. We will totally change the look of your house of office.

BluOcean in Dubai is the most trusted and best painting company in Dubai.



MASONRY SERVICES



Bringing the right solutions to the right people at the right time to make your vision a reality!

We will complete the block laying element to a high standard whether you are building a commercial property, a high-quality home, or a development of multiple houses. As a result, whatever you build can be expected to be of high quality. Each member of our trade team is skilled and experienced, ensuring that each project is completed to their specifications. We offer structural and decorative masonry services for a variety of residential and commercial Demolition & Construction projects, such as concrete construction and repair, brick masonry services, stone masonry services, and block masonry services Dubai. In all phases of construction, we work with all styles of brick, Bath Tub installation, Blocks Work Services, or stone. Our team consists of qualified tradesmen and hardworking apprentices who will complete your task. No matter the size, our team is prepared to take on any project while maintaining the highest quality and standard. With reputable technical and practical expertise in building structures safely, our goal is to provide clients with cost-effective construction of masonry within budgets and timelines without sacrificing quality. Get in touch with us today for all your masonry work in Dubai.



TILE FIXING



BLUOCEAN is a top-rated tile fixing contractors in Dubai and nearby areas. We offer professional tiles installation services in Dubai and across the UAE. We provide a complete solution for floor and wall tiling works in Dubai. We are one of the best tile fixing company in Dubai , and we will happily love to serve you our tiles flooring services. We have installed over a million tiles for thousands of satisfied customers. Our goal is to provide cost-effective tiles fixing in Dubai. The quality of our tile flooring speaks for itself, and we invite you to try our services if you are searching for “tiles flooring near me.”

Types of Tile fixing We offer

Kitchen Floor Tiles

Bathroom Tiles

Garden Works

Balcony & Wall Tiles

Porcelain Tiles Fixing

Ceramic Tiles Fixing

Commercial storefronts

Showroom Works

Custom Tile Works

Patios & Walkway Tiles

Sandstones Installation

Marble & Granite Installation



CARPENTRY & JOINERY SERVICES



Our company provides the best possible services for your carpentry works. We have finishing carpenters with experience that can easily accomplish all type of tasks from small apartment to industrial level with great Satisfactions. Our company is the best carpentry service provider in Dubai and it's not that only we claim this kind of professionalism and expertise but the huge list of recommendations and regular clientele is a living proof of our experience and excellent services.

We offer most of Carpentry work like

Wooden Doors & Windows, Aluminum Doors & Windows, Maintenance & Repairing works, Wooden, MDF & Aluminum Wardrobes, Wooden, MDF & Aluminum Kitchen Cabinets, Wooden counters, Marble counter tops, Glass Doors & Windows & Automatic sliding doors



PROJECTS REFERENCE

S. NO.	PROJECT DESCRIPTION	CONSULTANT	CLIENT	SCOPE	VALUE
1	RESIDENTIAL VILLA AT DUBAI HILLS VILLA NO 21 AT HILLS GROOVE COMMUNITY	ARCHITECTURAL CORNER	ALOKOZAY	MEP	2,500,000.00
2	AAA FOOD INDUSTRY WARE HOUSE AND OFFICE BUILDING	AECOM	M/S AAA FOOD	MEP	1,300,000.00
3	WARE HOUSE AND OFFICE BUILDING AT DUBAI SOUTH	AWAJ	M/s. AMAZON	MEP	1,700,000.00
4	G+1+R RESIDENTIAL LUXIRIOUS VILLA @ PEARL JUMEIRAH	ARCHITECTURAL CORNER	MR. RAMESH THANWANI (CHOITRAM)	MEP	1,300,000.00
5	B+G+1 VILLA WII EMIRATES HILLS	ARCHITECTURAL CORNER	GORABH JAIN	MEP	1,100,000.00
6	G + 1 VILLA PLOT # 3473208, AL MERKADH, DUBAI.	AL ANWAR ARCHITECTURAL ENGINEERING CONSULTANCIES	DINESH & HAREESH POPLI	MEP	800,000
7	G + 1 VILLA PLOT # 3473186, AL MERKADH, DUBAI.	ELECTROWAT Engineering services	KUSH GOEL	MEP	750,000
8	G+1+R RESIDENTIAL VILLA Sobha Hartland PLOT VE-200	Z N ERA SPACE	DIVESH MEHTA	MEP	795,000
9	RESIDENTIAL BUILDING G+5 FLOOR+ROOF LOCATION : DUBAI INVESTMENT PARK SECOND PLOT NO. : 5970809	GOLDEN SQUARE ENGINEERING CONSULTANTS	DUBAI INVESTMENTS PARK	MEP	14,500,000.00
10	RFX-2132000062 CONSTRUCTION OF HASSYAN RESERVOIRS (120 MIG) INCLUDING ELECTRO-MECHANICAL WORKS AND SCADA WORKS	NJS CO. L TD.(Dubai Branch)	DUBAI ELECTRICITY & WATER AUTHORITY TRANSMISSION & DISTRIBUTION WATERDEPARIMENT	MEP	1,200,000.00
11	ROPOSED MARKET MALL RENOVATION ON PLOT NO. 5980891 AT DIP, THE GREEN COMMUNITY,DUBA	ARIF & BINTOAK	PROPERTIES INVESTMENT	MEP	3,500,000.00
12	RESIDENTIAL BUILDING G+2P+3 FLOOR+ROOF LOCATION : DUBAI INVESTMENT PARK FIRST PLOT NO. : 5981076	A2Z	INTEGRATED TUBULARS & OILFILED SUPPLIES-FZCO	MECHANICAL (PLUMBING HVAC)	1,250,000.00
13	Proposed Renovation and Extension Plot No 6319939 (PA01-631-150) (B+G+1)	ARCHITECTURAL CORNER	ABDUL RAHMAN	MEP	2,900,000.00
14	PROPOSED B+G+1& ROOF VILLA AT DUBAI HILLS PLOT 6316806 For	ARCHITECTURAL CORNER	M/s KANE AMERICAN TOBACCO	MEP	2,870,000.00
15	SIGNATURE MANSION 18 NOS OF VILLA AT JUMEIRAH GOLF ESTATE	WINNER	JUMEIRAH GOLF ESTATE	MECHANICAL PLUMBING	9,500,000.00



BUSINESS PROJECTS



AAA FOOD INDUSTRIES TECHNO PARK DUBAI UAE



RESIDENTIAL VILLA (B+G+1+R) @ DUBAI HILLS

HILLS GROOVE VILLA NO. 21





**RESIDENTIAL BUILDING
(G+2P+4+R) (B+G+1+R) @
DUBAI INVESTMENT PARK**

DUBAI UAE



AMAZON OFFICE & WAREHOUSE BUILDINGS @ DUBAI SOUTH DUBAI UAE





**NOON OFFICE & WAREHOUSE
BUILDINGS @ DUBAI SOUTH
DUBAI UAE**

RUNNING PROJECTS

SIGNATURE MANSION 18 NOS. OF VILLAS (B+G+1+R) @ JUMEIRAH GOLF ESTATE









WAREHOUSE AND OFFICE BUILDING FOR SPIRE INTERNATIONAL @ DIC DUBAI





VISION & MISSION

1

To be the leader in the field of Electro Mechanical industries offering value added and sustainable essential for a better ,safer & healthier environments.

2

As a Team of sincere honest & well trained professionals,We provide professional Engineering services to the Industry.

3

To assist our customers to initiate ,expand and manage their business through the application of high quality services,products management and contracting skills to achieve a high level customers satisfaction at 24X7 .

MISSION

CORE VALUES

INTEGRITY

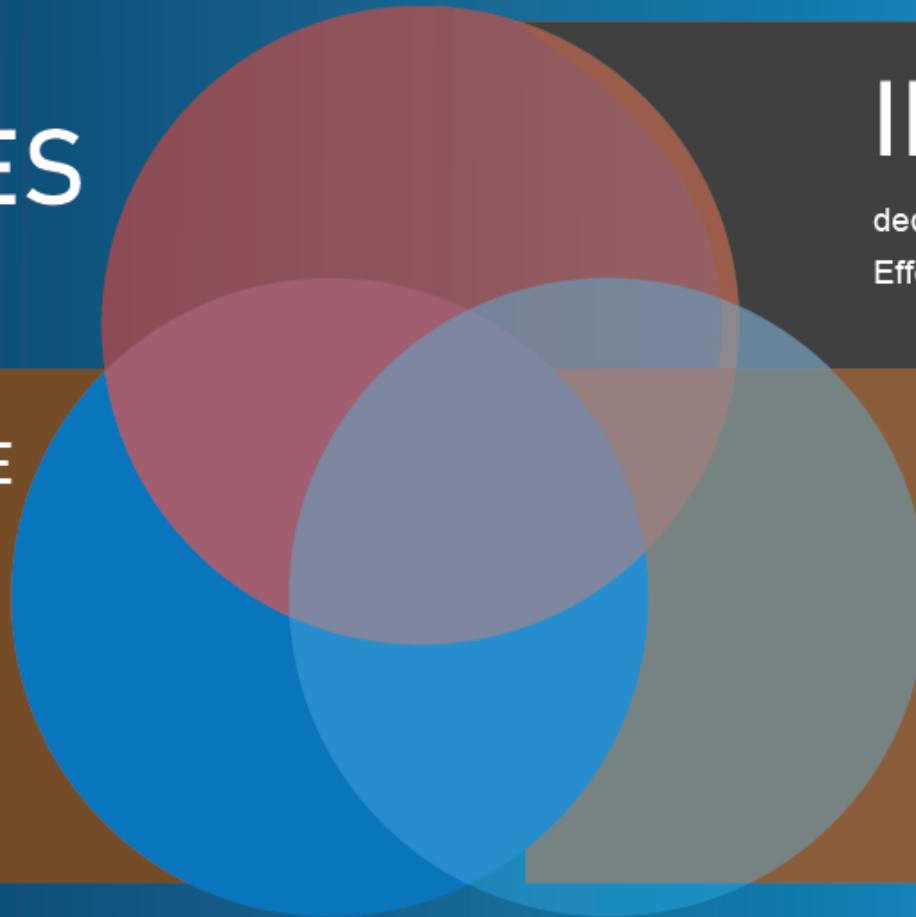
dedicated to quality, Innovation, Integrity, Efficiency and Loyalty.

HIGH QUALITY SERVICE

We trust and can be trusted. We do what we committed. We say and take accountability on every decision we make.

SUSTAINABILITY

We cares for the environment. Maintaining sustainable operation is also part of our strategy to continue our community for many future generation.





WHY THIS COMPANY?

we offer safe and environment friendly activities for commercial ,residential and industrial sector. All are carried out as per your convenience with flexible prior appointments.

Maximum Reliability - Guarnateed
Customer satisfaction - Guarnateed
Quality Services - Guaranteed
After Sales Services - Guaranteed

Plumbing Preventative Services
HVAC preventative Services
Electrical Preventative services
Painting, Masonary & Carpentry services



EMERGENCY & NON EMERGENCY CALLS OUTS

TEL - 058 5266802 / 056 1782172

EMAIL - info@bluoceanuae.com

sales@bluoceanuae.com

Web - www.bluoceanuae.com

Dubai United Arab Emirates

